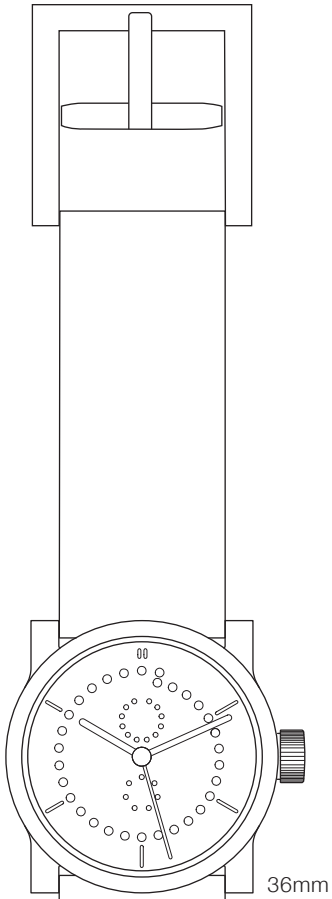
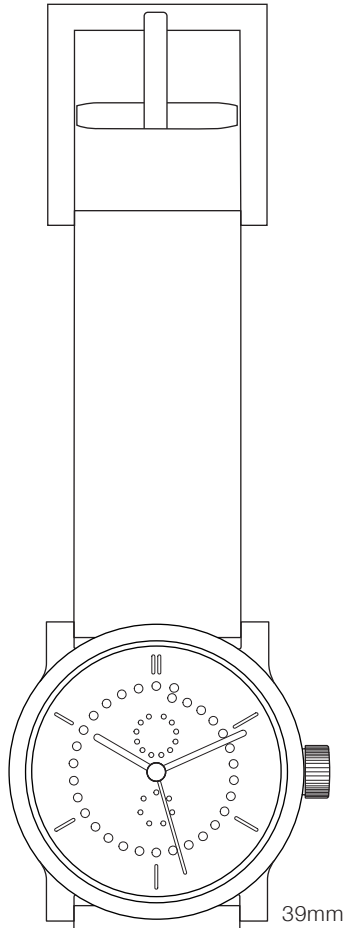


Print at 100%!

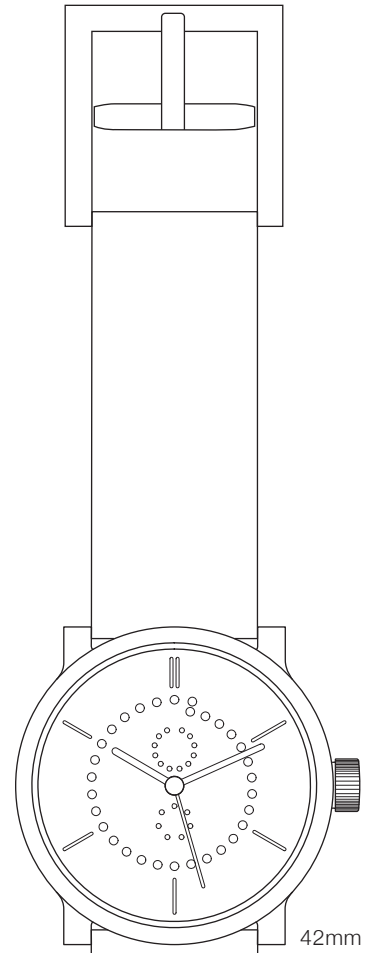
Check if this is 36mm.



36mm



39mm



42mm

Cut out here

