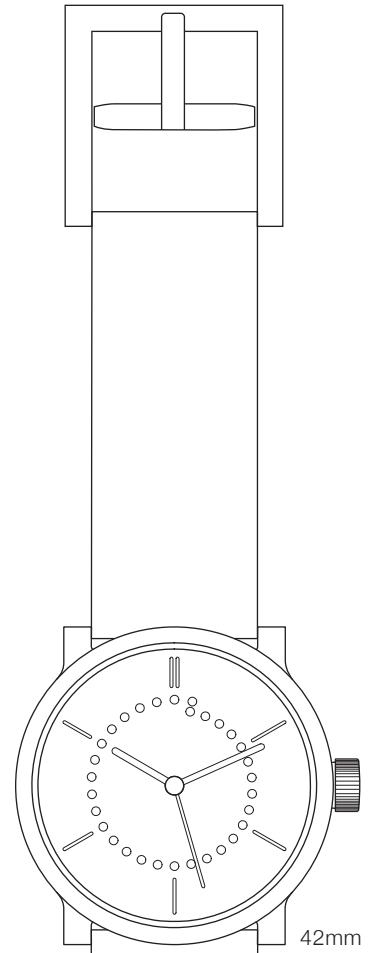
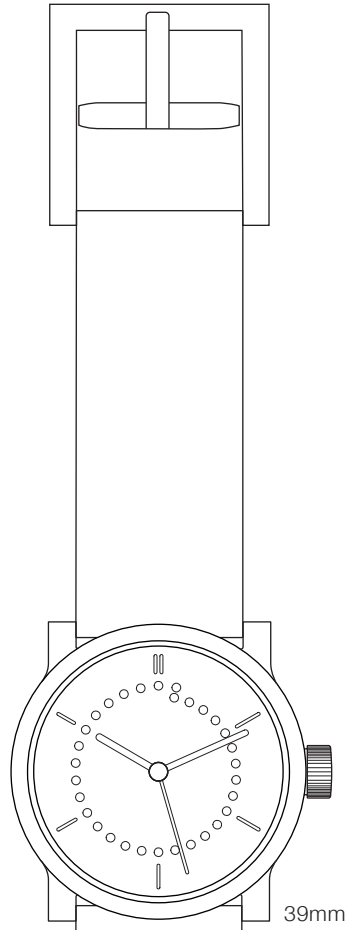
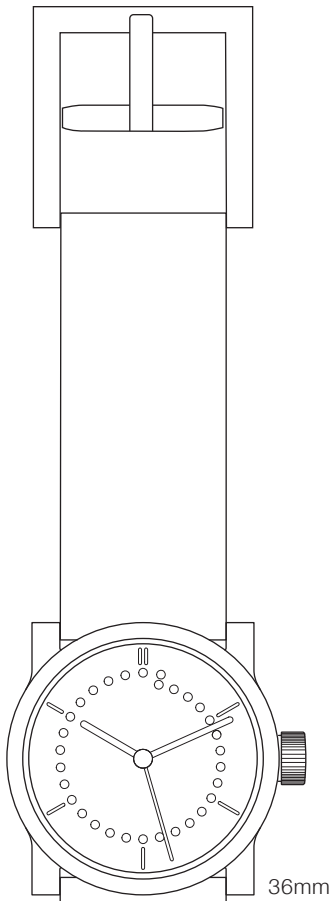


Print at 100%!

Check if this is 36mm.



Cut out here

